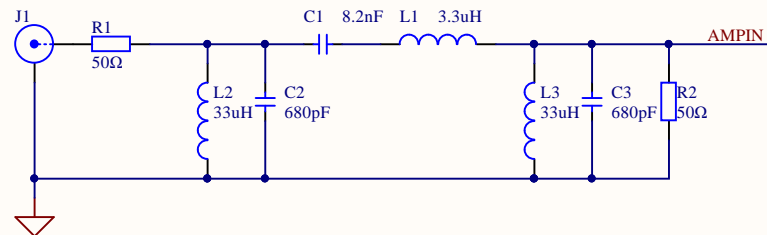
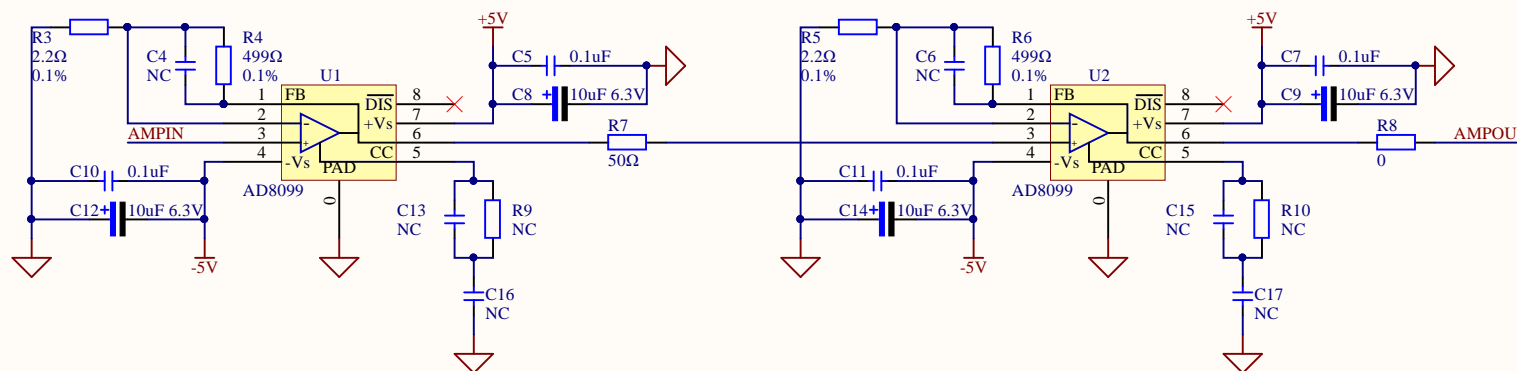


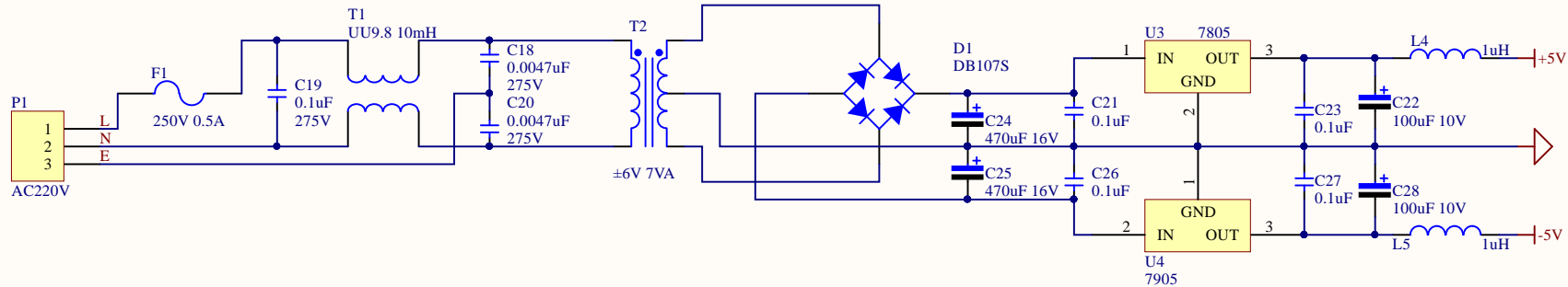
MUL_CH → AMPOUT



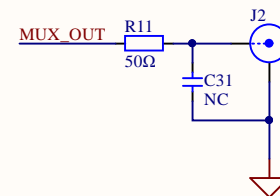
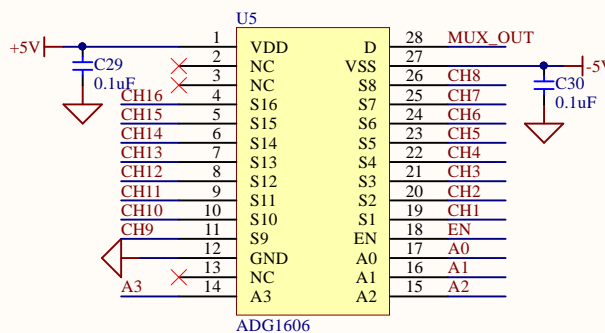
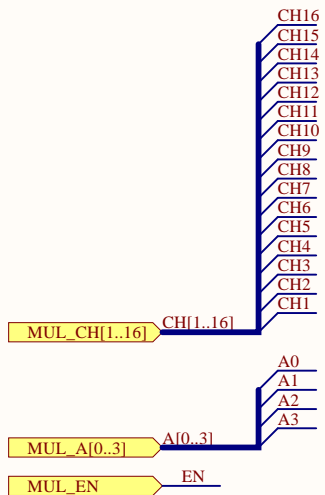
输入滤波器电路 两级放大电路



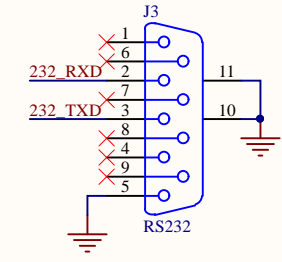
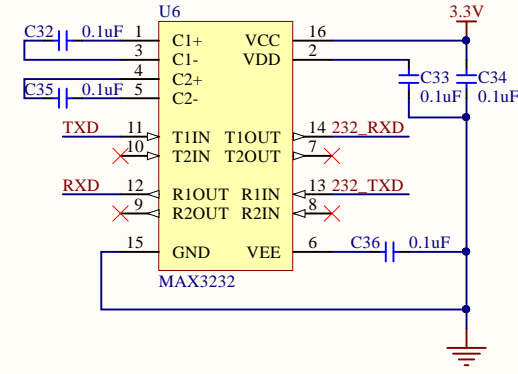
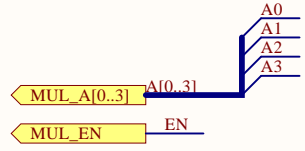
Title 放大器原理图			
Size A4	Number	By 王远泽	Revision V1.0
Date: 19/5/3 周五	Sheet of		Drawn By:
File: D:\Documents\...\amp.SchDoc			



电源电路 复用器电路



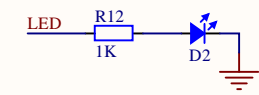
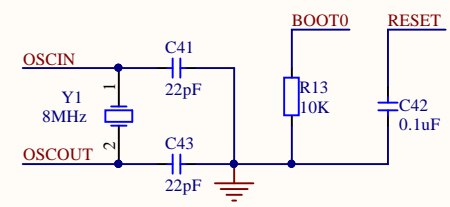
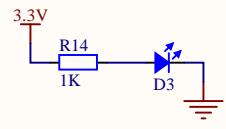
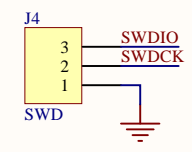
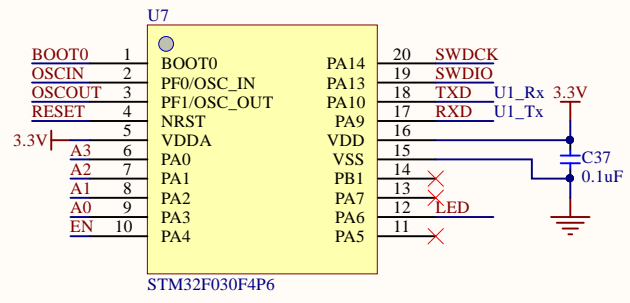
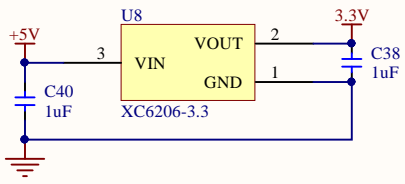
Title 模拟部分原理图			
Size A4	Number	By 王远泽	Revision V1.0
Date: 19/5/3 周五	Sheet of		Drawn By:
File: D:\Documents\...\analog.SchDoc			



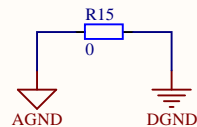
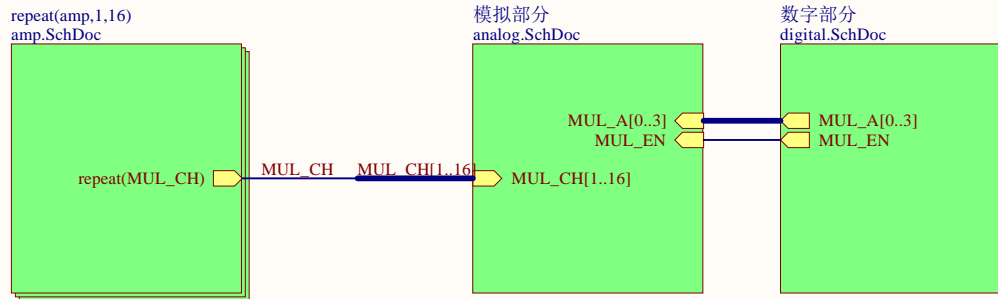
RS232串口

数字电源

单片机最小系统



Title 数字部分原理图		
Size A4	Number By 王远泽	Revision V1.0
Date: 19/5/3 周五	Sheet of	
File: D:\Documents\...\digital.SchDoc	Drawn By:	



Title 顶层原理图		
Size A4	Number By 王远泽	Revision V1.0
Date: 19/5/3 周五	Sheet of	
File: D:\Documents\...\top.SchDoc	Drawn By:	

